



Designed for Durability and Flexible Performance in a Variety of Moisture Applications

MB62 features a redesigned housing, innovative carbon fiber heating and upgraded load cell for enhanced durability and performance. With flexibility in method creation, settings and data access, MB62 is suitable for a variety of moisture applications in numerous industries.

Unique Features:

- Designed with durability and simplicity in mind, the wide 5-inch LCD display, knob control, and new carbon fiber heating technology guarantee a longer service life and reliable results.
- Flexible method and sample management with 4 drying profiles, 7 shut off criteria and library storage for up to 20 methods, and 100 results with sample ID for easy recall.
- Understand the status of your test and machine at all times. The indication curve shows the status of the test, and the machine status can be seen easily with the multi-color status light.

MB62 Moisture Analyzers

Specifications

| | |
|-----------------------------|---|
| Model | MB62 |
| Readability | 0.01 % / 0.001 g |
| Repeatability | 0.10 % (3 g sample) 0.018 % (10 g sample) |
| Moisture Range | 0.01 % to 100 % (0.01 % to 1000 % in regain mode) |
| Recommended MC% | 0.5 % to 100 % |
| Minimum Start Weight | 0.5 g |
| Capacity | 90 g |
| Heating Element | Carbon Fiber |
| Temperature Range | 40 - 200 °C (1 °C incremental) |
| Drying Programs | Standard, Fast, Ramp, Step |
| Method Library | 20 |
| Result Storage | 100 |
| Switch-off Criteria | 5 automatic, timed (1 - 480 mins), manual |
| ID Management | 10 Sample ID |
| Status Light | Multi-color status light |
| Operation Instruction | Progress indicator On-screen instruction Graphic instruction |
| Display Type | 5" LCD with 2 nd line display |
| Display Results | MC%, DC%, RG%, time, temperature, weight, Method No. |
| Language | English, French, German, Italian, Spanish, Portuguese, Chinese, Korean, Japanese, Polish, Turkish |
| Adjustment | Temperature adjustment (100 °C, 160 °C) External weight adjustment (50 g) |
| Output | RS232, USB device |
| Power | 120 VAC 50/60 Hz |
| Operating Temperature Range | 10 - 40 °C |
| Pan Size | Ø 3.5 inch / 90 mm |
| Dimension | 210 x 138 x 352 mm / 8.3 x 5.4 x 13.9 inch |
| Net Weight | 4.3 kg / 9.5 lb |
| Shipping Weight | 6.1 kg / 13.4 lb |

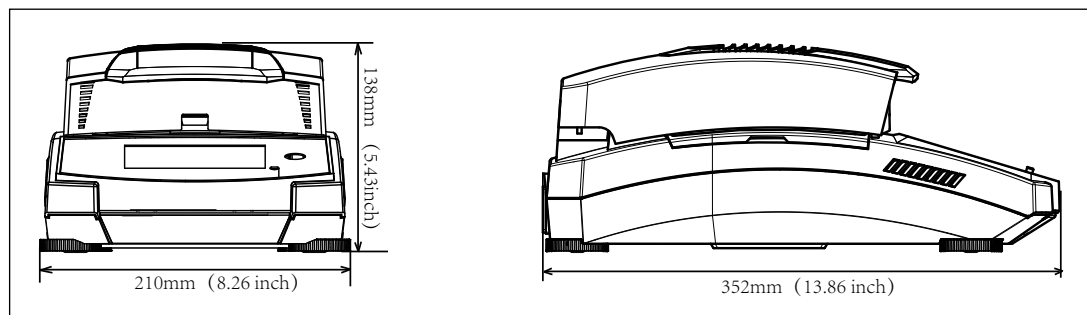
Compliance

- **Product Safety:** IEC/EN 61010-1; IEC/EN 61010-2-010; CAN/CSA C22.2 61010-1; CAN/CSA C22.2 61010-2-010; UL 61010-1; UL 61010-2-010
- **Electromagnetic Compatibility:** IEC/EN 61326-1 Class B, Basic environments; FCC Part 15 Class A; Canada ICES-003 Class A
- **Compliance Marks:** CSA; CE; RCM; WEEE

Accessories

| | |
|-----------------------------------|----------|
| Pan Handler, MB32 MB62 MB92 | 30954234 |
| In-Use Cover, MB32 MB62 | 30954235 |
| Temperature Calibration Kit | 11113857 |
| Scoop | 30284477 |
| Aluminum Pan (80) | 80850086 |
| Glass Fiber Pads (200) | 80850087 |
| Cage, Sample | 80252477 |
| Reusable Pan, Set (3), 7mm | 80252478 |
| Reusable Pan, Set (3), 14mm | 80252479 |
| SF40A Impact Printer | 30064203 |

Outline Dimensions



80776943_A 2024618 © Copyright OHAUS Corporation

OHAUS CORPORATION

Tel: 800.672.7722
973.377.9000
Fax: 973.944.7177

www.ohaus.com

The management system governing the manufacture of this product is ISO 9001:2015 certified.

