

WILEY® MINI MILL

The Wiley® Mini benchtop cutting mill features a steel 1.575-inch diameter sealed cutting chamber with two adjustable stationary blades and a rotating cutting head with four cutting edges.



THE NEXT GENERATION MODEL WILEY® MINI MILL

ADDITIONAL DETAILS

- Applications include: feed and grain testing, bio-fuels, recycling, advanced materials, performance materials
- Ideal for milling of a wide range of materials, including wood chips, wood wastes, cover crops, dried distillers grains, cannabis/hemp, municipal solid waste, plastic waste and more.
- Variable Speed Model allows for variable speed operation of 0 - 2,400 RPMs with high torque.
- Available in 115V (60Hz) and 230V(50Hz) configurations
- Includes stainless steel hopper with cover, wooden plunger, one rotating cutting head, one set of stationary blades, three (3) stainless steel sieves (20, 40 & 60 mesh), one jar adapter, one 4oz collection jar, and cleaning brush.



Thomas Part #	Description
23A00D287	Wiley® Mini Mill, Single Speed, 115 60HZ
23A00D288	Wiley® Mini Mill, Single Speed, 230V 50HZ
23A00D289	Wiley® Mini Mill, Variable Speed, 115V 60HZ
23A00D290	Wiley® Mini Mill, Variable Speed, 230V 50HZ

Wiley mills provide efficient size reduction of heterogeneous material mixes and are also suitable for grinding soft, medium-hard, fibrous or elastic samples. The Wiley and Mini Mill are safe and easy to operate. Our selection of accessories can support a variety of applications in your process.

PARTS AND ACCESSORIES

PARTS AND ACCESSORIES



Mesh Sieve



Mini Mill Sieves

CUTTER HEAD & KNIFES

Wiley® Mill 4 Part #	Description
23A00D314	4 Blade, Rotating Cutter Head, Steel
23A00D315	6 Blade, Rotating Cutter Head, Steel
3375P72	Knife Cam Lock For E10 TO E70
Wiley® Mini Mill Part #	Description
23A00D295	Standard Tool Steel Rotating Cutter Head
23A00X005	440C SS Rotating Cutter Head
23A00X006	VANAX Rotating Cutter Head

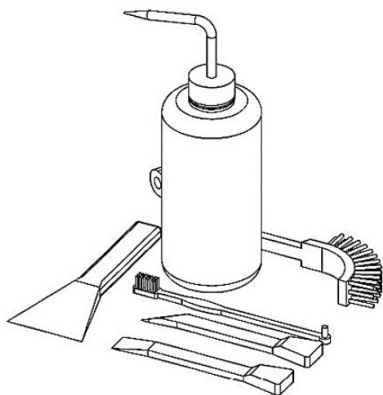
ROTATING & STATIONARY BLADES

Wiley® Mill 4 Part #	Description
23A00A932	Stationary Blade Set SS (Set of 6)
23A00A933	Rotating Blade Set SS (Set of 4)
23A00D308	Blade Gapping Kit 0.008" Blade Gap
23A00D312	Rotating Blades, set of 4, Standard Tool Steel
23A00D313	Stationary Blades, set of 6, Standard Tool Steel
23A00H892	Rotating Blades, Set of 4, 440C Stainless Steel
23A00H893	Stationary Bades, Set of 6, 440C Stainless Steel
23A00H894	Rotating Blades, Set of 4, 316 Stainless Steel
23A00H895	Stationary Blades, Set of 6, 316 Stainless Steel
23A00H896	Rotating Blades, Set of 4, Vanax Superclean Steel
23A00H897	Stationary Blades, Set of 6, Vanax Superclean Steel
Wiley® Mini Mill Part #	Description
23A00D296	Standard Tool Steel Stationary Blades, PKG of 2
23A00X007	440C SS Stationary Blades PKG of 2
23A00X008	VANAX Stationary Blades PKG of 2

SIEVES & SCREENS

Wiley® Mill 4 Part #	Description
23A00H554	Screen Shim Plate (for use with 60 Mesh Sieve)
23A00D320	0.5 MM S/S 316 Sieve
23A00D321	1 MM S/S 316 Sieve
23A00D330	10 MM S/S 316 Sieve
23A00D331	11 MM S/S 316 Sieve
23A00D332	12 MM S/S 316 Sieve
23A00D322	2 MM S/S 316 Sieve
23A00D323	3 MM S/S 316 Sieve
23A00D324	4 MM S/S 316 Sieve
23A00D325	5 MM S/S 316 Sieve
23A00D326	6 MM S/S 316 Sieve
23A00H553	60 Mesh Etched Sieve
23A00D327	7 MM S/S 316 Sieve
23A00D328	8 MM S/S 316 Sieve
23A00D329	9 MM S/S 316 Sieve
Wiley® Mini Mill Part #	Description
23A00D297	20 Mesh Etched Sieve
23A00D298	40 Mesh Etched Sieve
23A00D299	60 Mesh Etched Sieve
23A00D301	1MM Sieve
23A00D300	10 Mesh Sieve
23A00D302	2MM Sieve
23A00G168	100 Mesh Etched Sieve
23A00G167	80 Mesh Etched Sieve

PARTS AND ACCESSORIES



PARTS AND ACESORIES

Wiley® Mill 4 Part #	Description
23A00Q900	Bearing Pillow Block, Legacy Model 4
23A00D311	Model 4 Mill Cleaning Kit - Brushes, scrapers and wash bottle
3375P52	Door Latch Bolt For E10 to E70
Wiley® Mini Mill Part #	Description
23A00D291	Mini Mill Cleaning Kit

PLUNGERS

Wiley® Mill 4 Part #	Description
23A00D293	PTFE Plunger
23A00D294	Wooden Plunger
Wiley® Mini Mill Part #	Description
23A00D309	Replacement PTFE Plunger Designed For Use With E3700.A.H.P.S
23A00D310	Replacement Wood Plunger Designed For Use With E3700.A.H.P.S

VACUUM RECOVERY SYSTEMS

Wiley® Mill 4 Part #	Description
23A00X011	16oz Jar Vacuum Recovery System, Standard, 115V 60Hz
23A00X009	30 Gallon Mill Vacuum Recovery System, 115V 60Hz
23A00X010	55 Gallon Mill Vacuum Recovery System, 115V 60Hz
Wiley® Mini Mill Part #	Description
23A00X003	New Mini Mill Vacuum recovery system, 115V 60Hz



HOPPERS

Wiley® Mill 4 Part #	Description
23A00D307	316 Stainless Steel High Flow Hopper with PTFE plunger
23A00X012	300 Series Stainless Round Top Hopper
23A00X013	316 Stainless Hopper loading tray

JARS & JAR HOLDERS

Thomas Part #	Description
23A00D292	4OZ Straight Collection Jar With Lid
23A00X004	4OZ Straight Collection Jar With Lid, PKG OF12
23A00D318	16OZ Mason Jar PKG 12 W/ Lid
23A00D319	32OZ Mason Jar PKG 12 W/ Lid
23A00D317	Wide Mouth Jar Holder

MILL STAND

Wiley® Mill 4 Part #	Description
23A00D316	Powder Coated Steel Stand