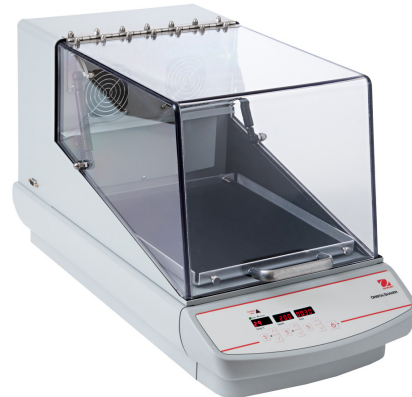




Incubating Heavy Duty Orbital Shakers



Save Incubator Space with Benchtop Incubating and Incubating Refrigerating Shakers

Incubating Heavy Duty Orbital Shakers offer exceptional temperature uniformity and are designed for a variety of shaking and incubating applications.

Unique Features Include:

- The exclusive Opti-Flow Forced Ventilation System utilizes twin induction or a single large fan. Air is deflected around & not directly on samples, creating a circular flow of air ensuring uniformity.
- For repeatable results, the exclusive Accu-Drive shaking system ensures speed accuracy. The Triple Eccentric Drive provides consistent shaking motion throughout the entire speed range.
- The chambers for the ISHD23HDG and ISHD23CDG units are large enough to hold 2 x 6 L Erlenmeyer flasks with optional clamps and platform.

Incubating Heavy Duty Orbital Shakers

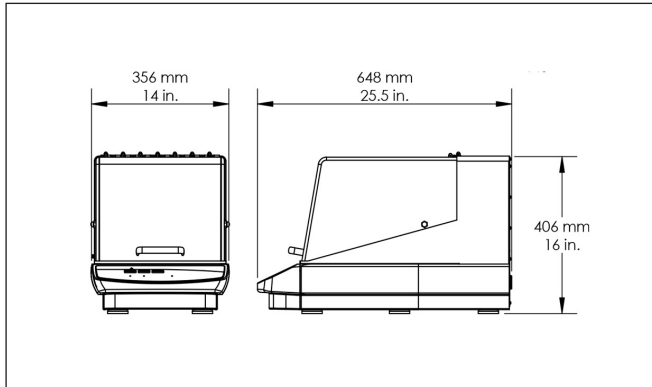
Specifications

| Model | ISHD16HDG | ISHD23HDG | ISHD23CDG |
|---------------------------------|---|--|---|
| Motion | Orbital, 0.75 in./19 mm | Orbital, 1 in./25 mm | Orbital, 1 in./25 mm |
| Speed Range | 15 rpm to 500 rpm | | |
| Speed Accuracy | Above 100 rpm +/-1% / Under 100 rpm +/- 1 rpm | | |
| Temperature Range | Ambient +5 °C to 65 °C | | 15 °C below ambient to 65 °C |
| Temperature Uniformity | +/- 0.5 °C at 37 °C | | |
| Calibration | Temperature Calibration | | |
| Timer | 1 second to 160 hours | | |
| Control | Digital | | |
| Communication | RS-232 Interface | | |
| Max Weight Capacity | 35 lb (16 kg)@ 75 rpm, 5 lb (2.3 kg)@ 500 rpm | 50 lb (22.7 kg) @ 125 rpm, 10 lb (4.53 kg) @ 500 rpm | |
| Drive System | Triple Eccentric; Brushless DC motor | | |
| Dimensions (H x L x W) | 16 x 25.5 x 14 in. / 40.6 x 64.8 x 35.6 cm | 23.5 x 32.1 x 26.6 in. / 59.6 x 81.5 x 67.5 cm | 23.5 x 41.1 x 26.6 in. / 59.6 x 104.4 x 67.5 cm |
| Interior Dimensions (H x L x W) | 9.5 x 13.4 x 12 in. / 24.1 x 34 x 30.5 cm | 17 x 20.6 x 24.8 in. / 43.2 x 52.3 x 62.9 cm | |
| Tray Dimensions (L x W) | 13 x 11 in. / 33 x 27.9 cm | 18 x 18 in. / 45.6 x 45.7 cm | |
| Net Weight | 79.1 lb. / 35.9 kg | 224.1 lb. / 101.6 kg | 290.4 lb. / 131.7 kg |
| Power | 120 V, 50/60 Hz / 230 V, 50/60 Hz | 120 V, 50/60 Hz / 230V, 50/60 Hz | 120 V, 50/60 Hz / 230 V, 50/60 Hz |
| Power Consumption | 450 W | 800 W | 800 W |
| Working Environment | 59 °F – 90 °F, 80% RH*, non-condensing / 15 °C – 32 °C, 80% RH*, non-condensing | | |

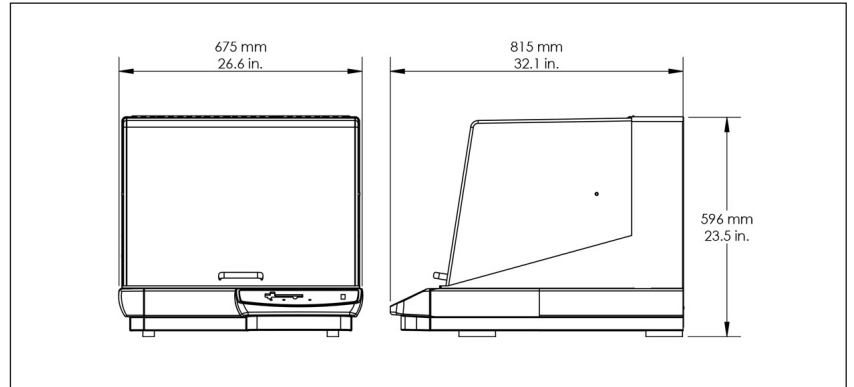
*RH = Relative Humidity

Dimensional Drawings

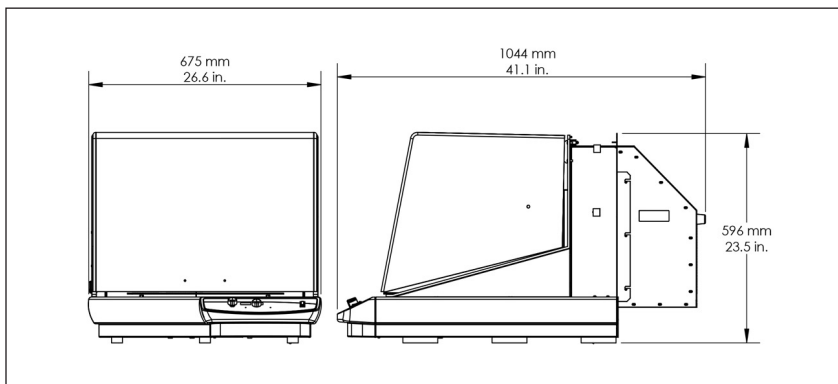
ISHD16HDG



ISHD23HDG



ISHD23CDG



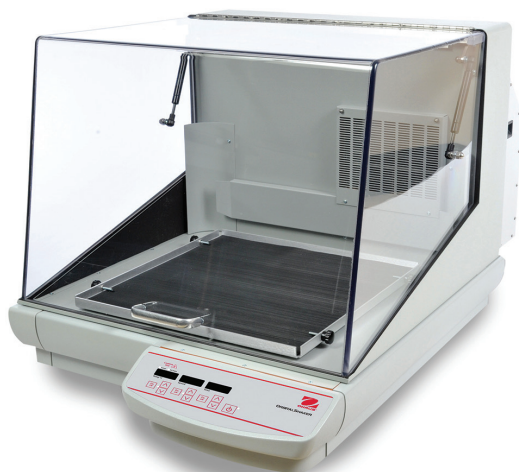
Incubating Heavy Duty Orbital Shakers

Accessories

| Description | Part Number | Tube capacity per Rack | ISHD16HDG | ISHD23HDG ISHD23CDG |
|---|-------------|------------------------|-----------|------------------------|
| Universal Platform, 28 x 33 cm, S/S* | 30400052 | - | 1 | N/A |
| Universal Platform, 46 X 46 cm, S/S I-IR* | 30400055 | - | N/A | 1 |
| Rubber Mat, 28 x 33 cm | 30400060 | - | 1 | N/A |
| Flask Clamps, 10 mL | 30400084 | - | 60 | 113 |
| Flask Clamps, 25 mL | 30400085 | - | 25 | 64 |
| Flask Clamps, 50 mL | 30400086 | - | 13 | 32 |
| Flask Clamps, 125 mL | 30400087 | - | 10 | 20 |
| Flask Clamps, 250 mL | 30400088 | - | 9 | 20 |
| Flask Clamps, 500 mL | 30400089 | - | 7 | 13 |
| 1 Liter Erlynmeyer Flask Clamp | 30400090 | - | 4 | 8 |
| 2 Liter Erlynmeyer Flask Clamp | 30400091 | - | N/A | 5 |
| 2.8 Liter Erlynmeyer Flask Clamp | 30400092 | - | N/A | 2 |
| 3 Liter Erlenmeyer Flask Clamp | 30400093 | - | N/A | 2 |
| 4 Liter Erlynmeyer Flask Clamp | 30400094 | - | N/A | 4 |
| 5 Liter Erlenmeyer Flask Clamp | 30400095 | - | N/A | 4 |
| 6 Liter Erlynmeyer Flask Clamp | 30400096 | - | N/A | 2 |
| 500 mL Media Bottle Clamp | 30400097 | - | 5 | 16 |
| 1000 mL Media Bottle Clamp | 30400098 | - | 2 | 10 |
| Flask Clamp Pvc 125 mL | 30400099 | - | 10 | 20 |
| Flask Clamp Pvc 250 mL | 30400100 | - | 8 | 18 |
| Flask Clamp Pvc 500 mL | 30400101 | - | 5 | 12 |
| Flask Clamp Pvc 1000 mL | 30400102 | - | 2 | 8 |
| Flask Clamp Pvc 2000 mL | 30400103 | - | N/A | 4 |
| Clamp Microplate SS | 30400104 | - | 4 | 12 |
| Tube Rack 1.5-2mL | 30400114 | 70 | 2 | 4 |
| Test Tube Rack 10-13 mm Diameter | 30400115 | 63 | 2 | 4 |
| Test Tube Rack 14-16 mm Diameter | 30400116 | 48 | 2 | 4 |
| Test Tube Rack 18-20 mm Diameter | 30400117 | 35 | 2 | 4 |
| Test Tube Rack 22-25 mm Diameter | 30400118 | 24 | 2 | 4 |
| Test Tube Rack For 15 mL Tubes | 30400119 | 35 | 2 | 4 |
| Test Tube Rack For 50 mL Tubes | 30400120 | 12 | 2 | 4 |
| Test Tube Rack 13 mm Pivoting | 30400105 | 90 | 1 | 2 |
| Test Tube Rack 16 mm Pivoting | 30400106 | 60 | 1 | 2 |
| Test Tube Rack 20 mm Pivoting | 30400107 | 40 | 1 | 2 |
| Test Tube Rack 25 mm Pivoting | 30400108 | 24 | 1 | 2 |
| Test Tube Rack 30 mm Pivoting | 30400109 | 21 | 1 | 2 |
| Test Tube Rack 10-14 mm Stationary | 30400110 | 48 | N/A | 3 |
| Test Tube Rack 16-20 mm Stationary | 30400111 | 33 | N/A | 3 |
| Test Tube Rack 21-25 mm Stationary | 30400112 | 21 | N/A | 3 |
| Test Tube Rack 50 mL Tubes Stationary | 30400113 | 17 | N/A | 3 |

*All units require an accessory platform for mounting flask clamps or test tube racks.

Incubating Heavy Duty Orbital Shakers



Universal Platform, 28 x 33 cm, S/S*
30400052



Universal Platform, 46 X 46 cm, S/S I-IR*
30400055

Other Standard Features & Equipment

Aluminum and Cycloy construction, temperature calibration feature, overload protection, overshoot protection (temperature), load sensor, PID temperature controller, Triple Eccentric Drive system

Compliance

- Product Safety: CAN/CSA C22.2 No. 61010-1, CAN/CSA C22.2 No. 61010-2-010, CAN/CSA C22.2 No. 61010-2-051, UL 61010-1
- Electromagnetic Compatibility: ICES-003 Class A, FCC Part 15 Class A
- Compliance Marks: TÜV SÜD

OHAUS CORPORATION
* 7 Campus Drive
Suite 310
Parsippany, NJ 07054 USA

Tel: 800.672.7722
973.377.9000
Fax: 973.944.7177

www.ohaus.com

*With offices throughout
Europe, Asia and
Latin America*

*ISO 9001:2015
Registered Quality
Management System

80776574_N 20200825 © Copyright OHAUS Corporation



*All units require an accessory platform for mounting flask clamps or test tube racks.